



**First Church Squantum
Congregational**
164 Bellevue Road
Squantum, MA 02171
617-328-6649

Email:
firstchurchsquantum@gmail.com

Website:
www.firstchurchsquantum.org



Rally Sunday Is Coming

Time for our Fall Kick Off! Everything starts up September 12. Worship returns to beginning at 10a. Sunday School starts during worship. Coffee Hour will kick off too! So invite a friend and come enjoy the start of a great new season! We'll see you there!



The Light

"We know that all things work together for good, for those who are called according to Christ's purpose." — Romans 8:28 September 2021

Making Our Moments Count: Every Moment for God

by Rev. Doug Gray

"When they had finished eating, Jesus said to Simon Peter, "Simon, son of John, do you truly love me more than these?" "Yes, Lord," he said, "you know that I love you." Jesus said, "Feed my lambs." —John 21:15

I love spectacular movies! Great special effects, engaging actors, a terrific plot, fantastic music—those are what make a movie for me. Which makes for a great movie, but not a real life, right? In the movies, Captain America doesn't brush his teeth, and Scarlett Johansson doesn't lose her keys, but in real life, stuff like that happens all the time! Real life has things like waking up, trying to find my glasses, and stumbling downstairs to find my caffeine. Real life is all about the little moments in between the big ones—doing the laundry, starting the dishwasher, changing the oil. Lately, I've been reading, *(story continued on p. 4)*

Worship in September

Our fall worship series is based on Tish Warren's *Liturgy of the Ordinary: Sacred Practices in Everyday Life*. The worship experience begins the conversation, and then the Monday Night Bible Study really delves deeper. (See "Curious Minds and Hungry Hearts Wanted," below.)

Date	Title or Event	Reading/Scripture
9/5	Labor Day Sunday • Communion Spiritual Coaching with the Greats: Preacher: Sally Padilla, Student Min.	Romans 13:1-7
9/12	Rally Sunday! Every Moment for God: Waking Up Sixteenth Sunday after Pentecost	2 Kings 5:1-3, 8-14 Matthew 3:13-17
9/19	Every Moment for God: Making the Bed	Deuteronomy 6:4-14a Luke 6:12-23
9/26	Every Moment for God: Brushing Teeth	Hebrews 2:14-17 Philippians 2:5-13
10/3	Communion Every Moment for God: Eating Leftovers Twentieth Sunday after Pentecost	John 6:47-70

Thank You, Weird Animals!

We are all a little weird, right? So how perfect to have “Weird Animals” as this year’s VBS theme! Each day, we had a different weird animal teaching us something about God’s deep and passionate love for us! This year we had 27 kids registered, and a terrific volunteer staff. Another thing that made this year special is that we tried running it in the evening for the first time—and people loved it! Soooo many people contributed time and energy to bringing these transformative experiences to our community—decorations, food, serving, teaching, taking care of kids, setting up, praying, registration,



crafting, singing, science, story-telling—thank you, each and every one of you! Because you volunteered, we were able to share the love of God with kids from our neighborhood as a community service—free of charge! Some folks donated supplies and others stayed up long hours praying and preparing for the kids each day. Extra special thanks to Tina Rychalsky who directed VBS this year! She worked tirelessly, contributed countless hours of creative thought, and fun-loving leadership. Thanks for a great VBS, everyone!



Backpack Drive

As kids are heading back to school, starting right is sooooo important. This year, Interfaith Social Services had a backpack drive to provide backpacks filled with school supplies to families that would struggle to purchase them. As part of our Vacation Bible School effort, Tina Rychalsky and Kim Wheelwright thought it would be awesome to make a difference for these people. We started the drive thinking we might get 26 backpacks—and we got 42! So exciting to see people stepping up to help people who need it! Thanks to Tina and Kim for running the drive and delivering the backpacks—and special thanks to all those who contributed backpacks and school supplies. Way to go!



The kids and Pastor Doug pray over the backpacks before they are delivered to ISS.

Sunday School Welcome and Registration, September 12



The new ministry year begins with Rally Sunday...and so does Sunday School! Our Sunday School has been growing over the last few years, and the fun combined with learning about God is going to get even better. Directed by our own Cynthia Gray, this year Sunday School will draw on “Deep Blue” the great Sunday School curriculum. Because of the growth, we are exploring the options for dividing our Sunday School into an older and a younger group! Yay God! Sunday School will continue to be during worship, so if you know someone who would enjoy having fun and learning about God, please invite them to join the fun!

Curious Minds and Hungry Hearts Wanted Monday Night Bible Study • 6:30–7:30p

Life is short. God is big. Life can be hard. God is always with us. Monday Night Bible Study is all about bringing our lives and God’s Truths together, and catching glimpses of how God might renew and restart us. Each week, we will take Sunday’s scripture and theme and really go to the next level with it. We have a very friendly group and no experience with the Bible is necessary—we will teach as we go. The best parts are the questions we ask and the new perspectives we all get. Great conversations with good company! Come and give it a try

Helping Us Have a Visual for God

One of the great things about our time is the rediscovery of the importance of images for worship. Each Sunday, the images and lyrics of our worship helps add texture and focus to our worship, allowing us to simply pour out our hearts to God and listen for God’s response. But this can only add these elements to our worship if we have people who will help it happen. We need 3 or 4 people—maybe 5—who are willing to learn the generally simple task of bringing our visuals to life on the screen. If you can click with a mouse and push an arrow key, you can manage this, and it helps us all focus on God! If you are someone who likes to do things with their hands during worship, this could be great for you ☺ Pastor Doug is always happy to train new people! Sign-up sheets are available in the Narthex, just as you are going into the sanctuary.

The Book Club

The Book Club group meets the first Tuesday of every month! For more information please contact Karen Kinnealey at kkinnealey@msn.com.

Page 3

Sept B-days

David Rivard
Ted Zlatanova
Kris Richardson Smith



Women's Breakfast

It's time to start again! Starting September 17, women of our area gather for a potluck break-



fast at 9:30a in the Parlor. We eat, and chat, and encourage each other

wherever we are in life. A terrific way to get to know people in a relaxed setting. It's not just for women in the church either—we open it up to friends and neighbors as well. First-time attenders should just come and enjoy—you don't have to bring anything! Just come and enjoy!

Fiber Arts

The monthly Fiber Arts Group meets on Tuesday's starting again on September 14th. In addition to working on things for family and friends, this group also donates some of its work to helping needy children have warm heads and hands.



Readers Assemble!

One of the beautiful things about our tradition is that we encourage everyone to participate in worship. This fall, we are inviting people to assist in leading worship by being a "lay reader." Would you be willing to help by reading a prayer or some scripture? Ahead of worship, lay readers will gather for prayer with Pastor Doug and our student minister, Sally Padilla. Sign-up sheets are available in the Narthex, just as you are going into the sanctuary.

Lay Leadership Retreat

Friday, September 10, 6:30–8:30p

What happens when you put the leaders of the First Church of Squantum together in the same room for an evening?

- A heckuva party!
- A prayerful group, seeking God's wisdom!
- A high-powered vision-casting session for the year ahead!
- A core-leadership effort that makes the whole year go more smoothly!

Yes, all of those! We ask that Board members and Officers please make time to come. If you think of yourself as a leader, and just want to come and be part of a terrific experience, come ahead! Please let Pastor Doug or the church office know so that we can have enough materials for everyone.

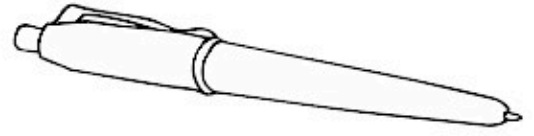
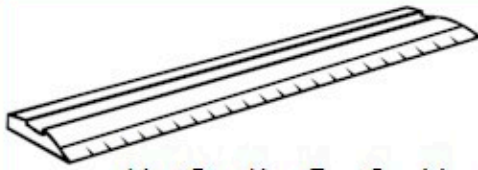
Office Support for the Church

Have you ever worked in an office? Would you like to learn? Pastor Doug is looking for a few hours of help each Thursday and/or Friday to get ready for worship on Sunday. We will start with prayer and move into taking care of people through projects for the week. No experience is necessary, though willingness to learn a thing or two about computers is important. If you have ever sent an email, then you have what it takes. Pastor Doug is a terrific coach and can help you with the rest. For more information, please talk with Pastor Doug or drop an email to the church.

Every Moment for God, *continued from p. 1*

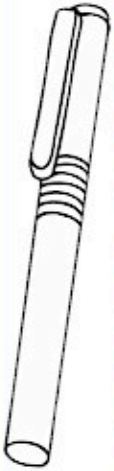
Tish Warren's book, *Liturgy of the Ordinary: Sacred Practices in Everyday Life*, and she talks about finding God in every moment. To be sure there are spectacular moments in life, but to be ready for those, we have these moments only our closest friends and family see, moments that tell the story of who we are...and of who God is in our lives. This fall, we are going to spend time exploring how we might find God in the everyday world we actually live in, how God is actually at work in the minutiae of each moment, and how we might find ourselves drawn deeper into a transforming relationship with Jesus, Who is always with us. My hope, for you all and for myself, is that we would discover God is far closer and far more into us than we ever imagined! See you in worship!



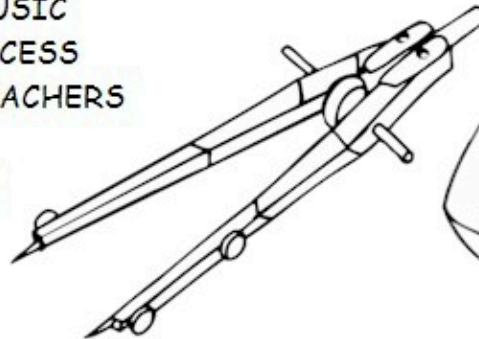


September

H Q K J S N G D U D I G I G W H Z G D D
 A R T K P Z Q V P G R N R L L K P H R F
 C N I N E O C H V A K E D Y J A Z I H B
 U I M V X I W Z F D Q N C B P W D I X D
 O D W J S Y M G N A U U E E O I O V S N
 Q Z C U B T G F L B S Q R J S U P Q R N
 H X M A I O V F H H K D X M Z S P K L A
 U J T R K K P U F Y Y S B L P Q U J S O
 H K B P A Q K M P A M L O O U T G A C N
 P H S E I M D C X F R D R V B N D Y H J
 J B H N W Y G P S J V T F B J I C D O R
 I Y P C N Q S B A U S U Z C A X M H O I
 T J P I S A F G K T B T N W K X S I L Q
 U B U L V Y V L R C T J T R X L S S G U
 L T L S R E H C A E T N O Y T C E L S R
 D J T O J P I U P K Y W Z U E D A G E O
 P O W V X F Q Q X W E N V D A D T V O A
 C Q O Y F O H E G M Q X Q R I V M H H P
 L W U Y U S E S O K D L G K J R I D W A
 N L E F R E R H M C C P A I X P R P D L



BUS GRADES
 LUNCH MUSIC
 PENCILS RECESS
 SPORTS TEACHERS
 ART
 HOMEWORK
 PAPER
 SCHOOL



The First Church of Squantum

164 Bellevue Road
Squantum, MA 02171



Published by

The First Church of Squantum, Congregational

164 Bellevue Road • Squantum, MA 02171 • 617-328-6649

www.firstchurchsquantom.org • firstchurchsquantom@verizon.net

Where We Love Kindness

Pastor: Rev. Doug Gray (Home) 617-481-4436

(Cell) 608-436-6263

Chaplain: Rev. Clara Sparks 617-773-3724

Student Minister: Sally Redondo Padilla

Accompanist: Miles Fellenberg

Moderator: Jack Westerbeke 617-328-8422

Treasurer: Recilla Westerbeke 617-328-8422

Chair, Deacons: Ellen Ogilvie 617-328-0189

Chair, Trustees: Timothy Lynch 617-448-6742

Church Office: 617-328-6649

Church Office Hours: Mo–Tu, Th–Fr, Su 9a – 12p